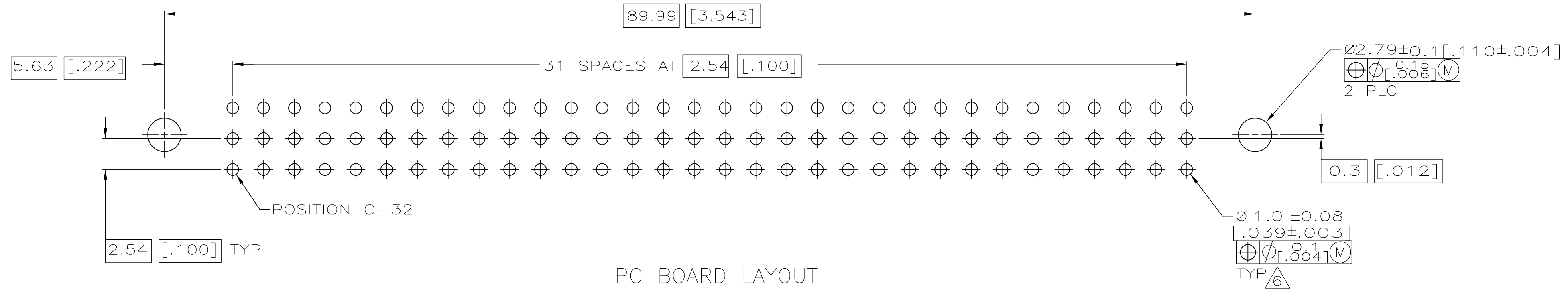
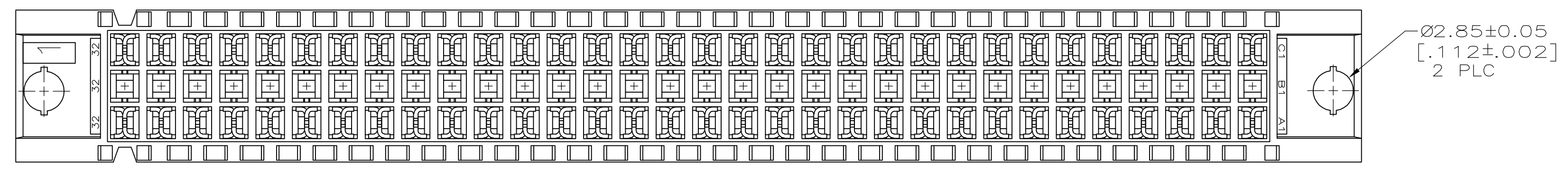
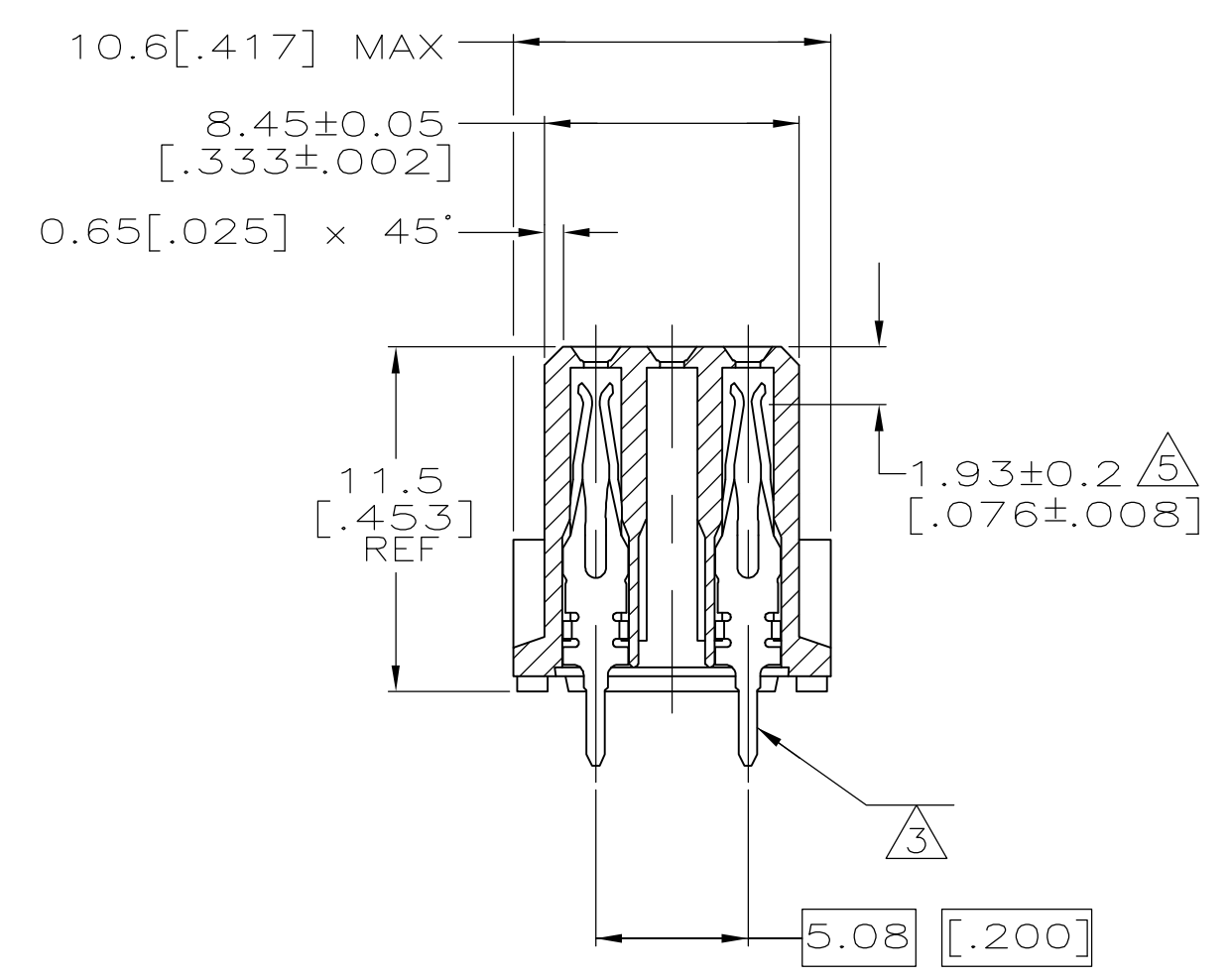
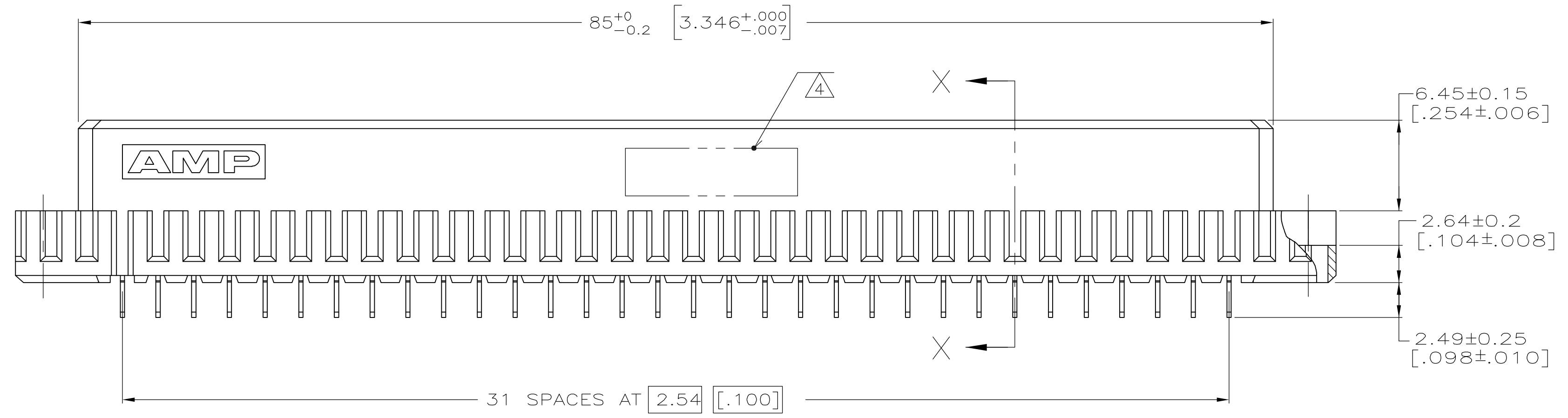


- ① HOUSING MATERIAL: GLASS-FILLED POLYMER.
- ② CONTACT MATERIAL: COPPER ALLOY.
- ③ CONTACT FINISH: DIN 41612 CLASS 2 IN CONTACT AREA. TIN PLATE ON POSTS
- ④ PART NUMBER, DATE CODE IDENTIFICATION, CSA LOGO IN THIS APPROXIMATE AREA ON REVERSE SIDE.
- ⑤ CONTACT POINT.
- ⑥ RECOMMENDED HOLE SIZE FOR MANUAL APPLICATION OF CONNECTOR ONTO PC BOARD.



SECTION X-X

PC BOARD LAYOUT

1 THRU 32	X	-	X	64	5650458-5
POSITIONS LOADED	C	B	A	NO. OF LOADED POSITIONS	ASSY PART NUMBER
				ROWS LOADED	

THIS DRAWING IS A CONTROLLED DOCUMENT.

DIMENSIONS: mm [INCHES]	TOLERANCES UNLESS OTHERWISE SPECIFIED:	DWN: J. POLIGNONE 27MAY05	CHK: A. SHARPE 27MAY05	APVD: A. SHARPE 27MAY05	NAME: ASSEMBLY, RECEPTACLE, EUROCARD, TYPE C, LEAD-FREE, A and C, 64/96 POSITION, 2.49 [.098] SOLDER POSTS.
0 PLC ± -	1 PLC ± -	2 PLC ± 0.15 [.005]	3 PLC ± -	4 PLC ± -	ANGLES ± -
MATERIAL: ① ②	FINISH: ③	SIZE: A1	CAGE CODE: 00779	DRAWING NO: 5650458	RESTRICTED TO: -
CUSTOMER DRAWING		SCALE: 4:1	SHEET: 1 OF 1	REV: 0	

tyco Electronics  
 Tyco Electronics Corporation  
 Harrisburg, Pa 17105-3608